

© EPODOC / EPO

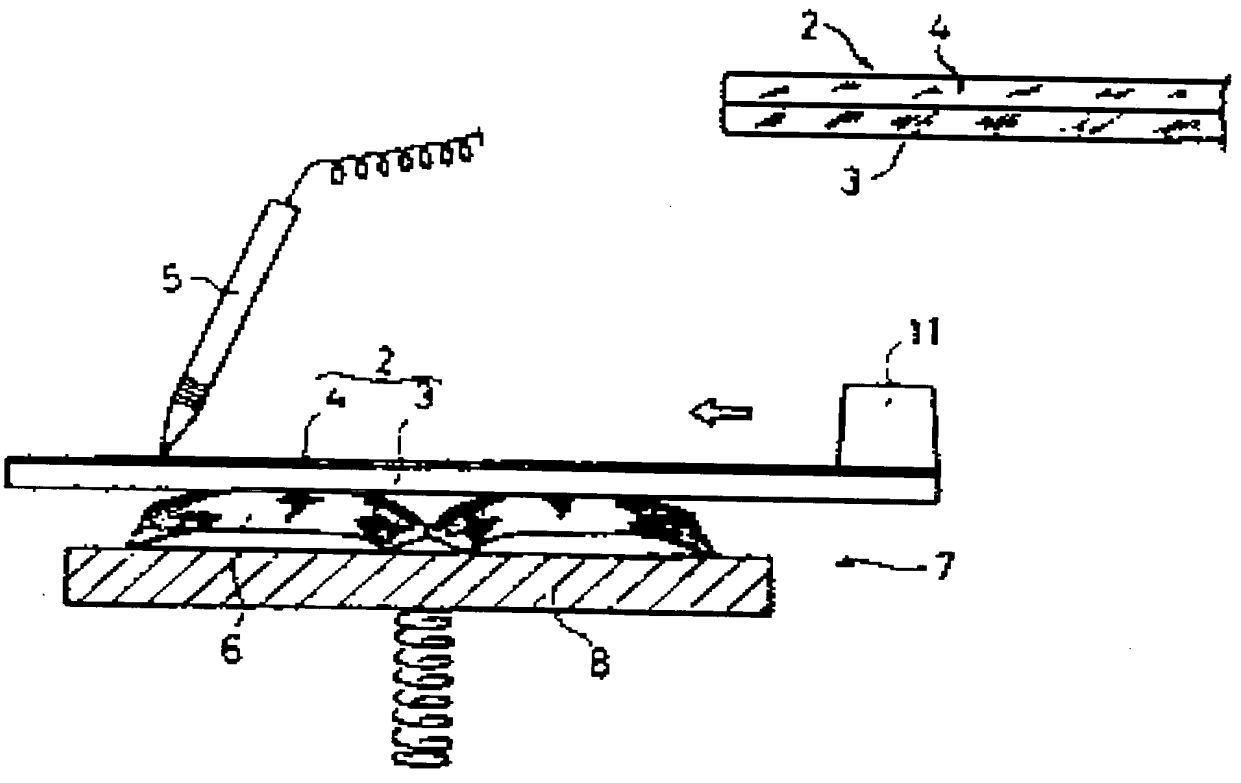
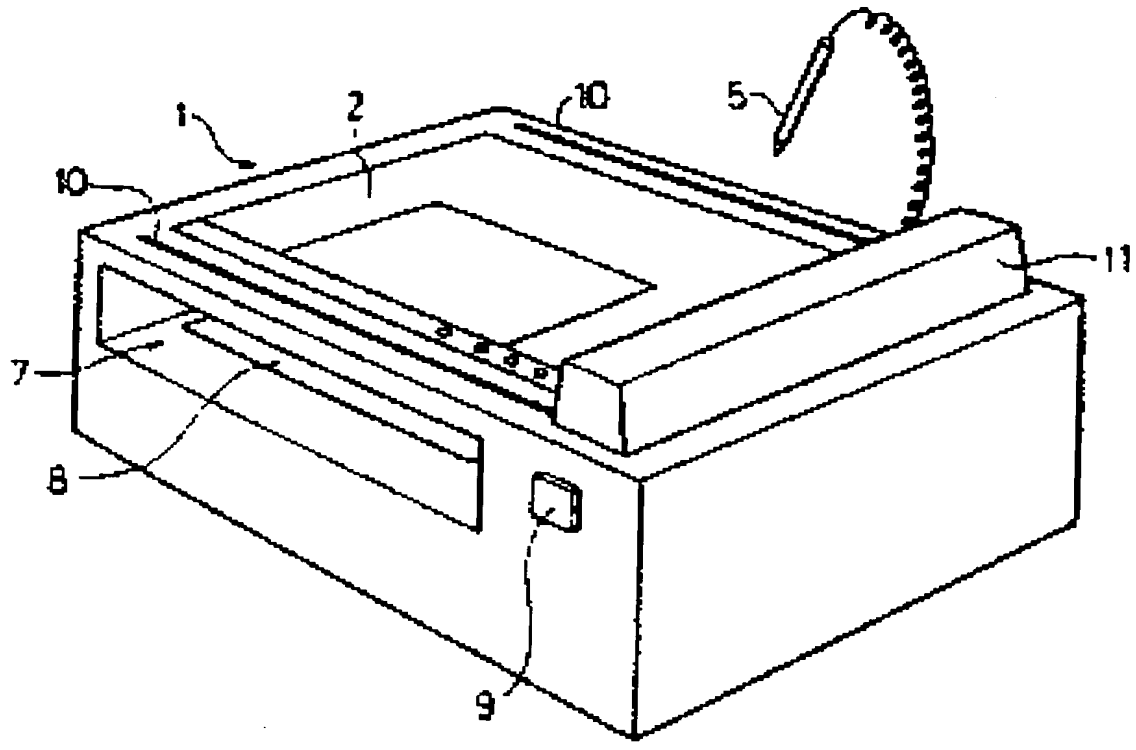
- PN - JP63167564 A 19880711
 PD - 1988-07-11
 PR - JP19860312924 19861229
 OPD - 1986-12-29
 TI - PICTURE EDITING DEVICE
 AB - PURPOSE: To facilitate the setting of an area by providing an area setting board having a light transmissivity on the upper part of an original, seeing through the original from the area setting board and using an input pen so as to set the picture area. CONSTITUTION: The area setting board 2 having light transmissivity is arranged to the upper face of a picture editing device 1. The setting board 2 consists of a supporting plate 3 made of a transparent glass plate and a transparent touch panel adhered thereonto. The upper/lower patterns of the touch panel 4 act like a switch while being depressed by the input pen 5, the depressed position is detected and the position data in the X, Y directions is outputted. After an original 6 is inserted to the original placing part 7 formed to the lower part of the area setting board 2, the area setting board 2 is used to set the area, then the set area is read by the image reader 11 and the picture data is printed out by the print part.
- IN - HIGAKI MASAHIRO; NAITO YOSHIICHI; MURAMATSU HIDEO
 PA - MINOLTA CAMERA KK
 IC - G03B27/62; G03G15/00; G03G15/04; G06F15/62; G06F15/66; H04N1/387

© WPI / DERWENT

- TI - Image editing device - provides area seating plate having beam passing at upper part of script table NoAbstract Dwg 7/7
 PR - JP19860312924 19861229
 PN - JP63167564 A 19880711 DW198833 005pp
 PA - (MIOC) MINOLTA CAMERA KK
 IC - G03B27/62 ;G03G15/00 ;G06F15/62 ;H04N1/38
 OPD - 1986-12-29
 AN - 1988-232482 [33]

© PAJ / JPO

- PN - JP63167564 A 19880711
 PD - 1988-07-11
 AP - JP19860312924 19861229
 IN - HIGAKI MASAHIRO; others: 02
 PA - MINOLTA CAMERA CO LTD
 TI - PICTURE EDITING DEVICE
 AB - PURPOSE: To facilitate the setting of an area by providing an area setting board having a light transmissivity on the upper part of an original, seeing through the original from the area setting board and using an input pen so as to set the picture area.
 - CONSTITUTION: The area setting board 2 having light transmissivity is arranged to the upper face of a picture editing device 1. The setting board 2 consists of a supporting plate 3 made of a transparent glass plate and a transparent touch panel adhered thereonto. The upper/lower patterns of the touch panel 4 act like a switch while being depressed by the input pen 5, the depressed position is detected and the position data in the X, Y directions is outputted. After an original 6 is inserted to the original placing part 7 formed to the lower part of the area setting board 2, the area setting board 2 is used to set the area, then the set area is read by the image reader 11 and the picture data is printed out by the print part.
- I - H04N1/387 ;G03B27/62 ;G03G15/00 ;G03G15/04 ;G06F15/62 ;G06F15/66



Best Available Copy